



## Introduction:

STM33 Series 10-200kVA adopts online double conversion technology, which can completely eliminate all kinds of grid problems and provide customers with stable and pure sinusoidal power supply protection. Innovative design makes these products have unparalleled reliability and high performance. The high input power factor and low input current harmonics ensure the UPS green and environmental protection, and high efficiency ensures the energy saving.



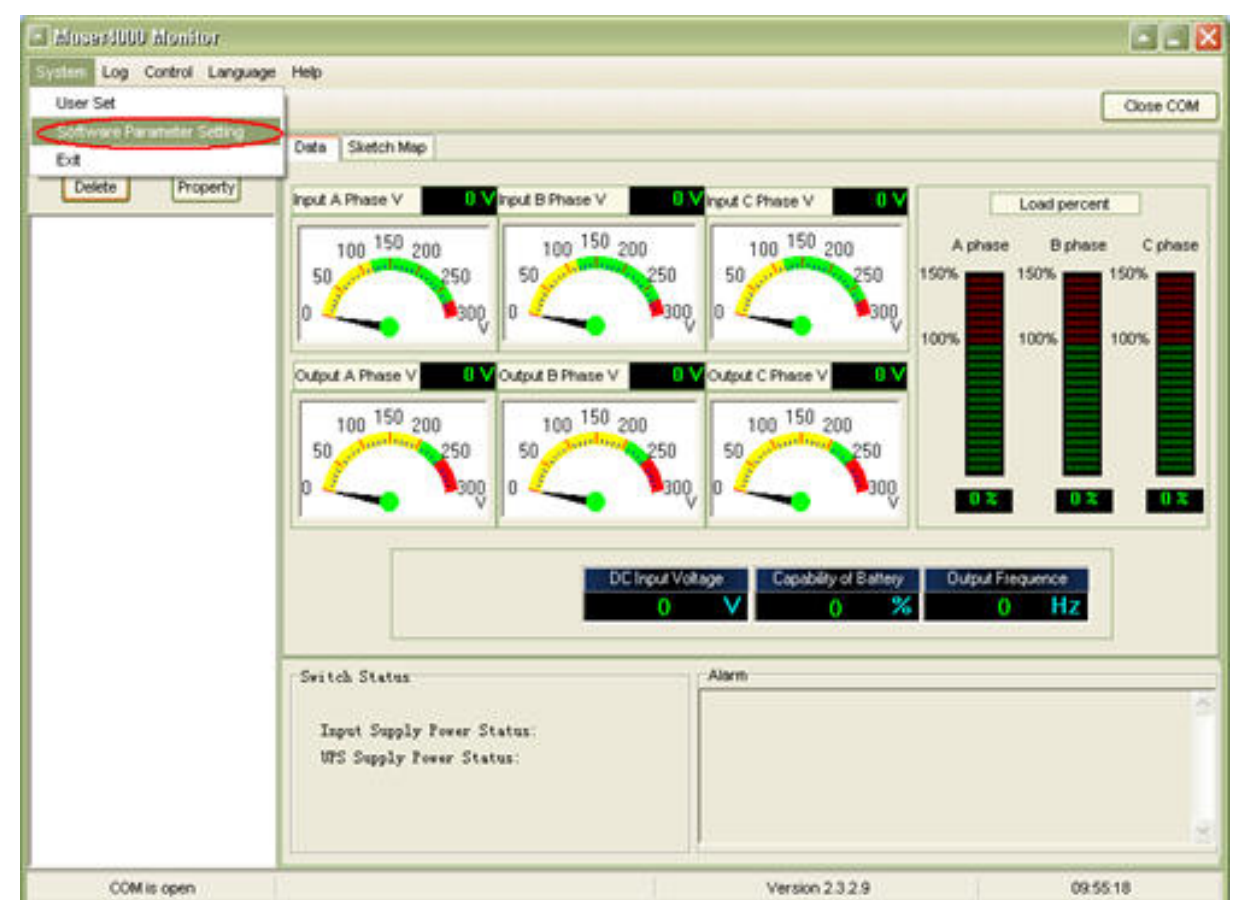
7 inch LCD front panel

## Function & Features:

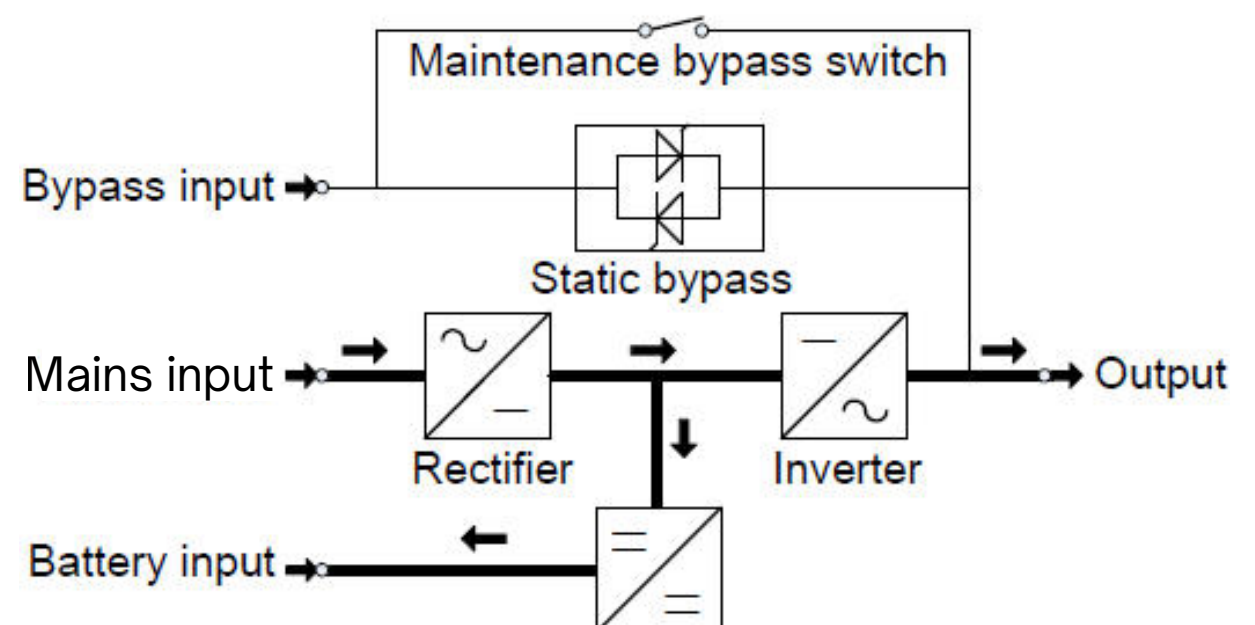
- Wide input voltage range
- Online double conversion technology
- DSP digital control technology
- Output power factor 1, Kva=Kw
- N+X redundancy
- Communications: RS485/Dry contact card /SNMP Card

## Benifits:

- Wide input voltage range adapt to harsh power grid
- DSP technology greatly improve the system reliability
- Friendly man-machine interface, easy to operate
- Intelligent battery management extend battery life



Web Monitoring



UPS in Normal operation

Model	ST33010E30-50	ST33015E30-50	ST33020E30-50	ST33030E30-50	ST33040E30-50	ST33060E30-50	ST33080E30-50	ST33100E30-50	ST33120E30-50	ST33160E30-50	ST33180E30-50	ST33200E30-50	
<b>Capacity</b>	10kVA/10kW	15kVA/15kW	20kVA/20kW	30kVA/30kW	40kVA/40kW	60kVA/60kW	80kVA/80kW	100kVA/100kW	120kVA/120kW	160kVA/160kW	180kVA/180kW	200kVA/200kW	
<b>Input</b>	Phase	3 Phase 4 Wires and Ground											
	Rated Voltage	380/400/415Vac											
	Operating voltage range	138~485Vac											
	Operating frequency	40Hz-70Hz											
	Power factor	≥0.99											
	Harmonic distortion	≤3% (100% linear load ); ≤5% (100% non-linear load )											
	Bypass voltage range	Max.voltage: 220Vac +25%(optional +10%,+15%,+20% ); 230Vac: +20%(optional +10%,+15% ); 240Vac: +15%(optional +10% )											
		Min. voltage:-45 %( optional -10%, -20%,-30%)											
Frequency protection range: ±10%													
Generator input	Compatible												
<b>Output</b>	Phase	3 Phase 4 Wires and Ground											
	Output voltage	380/400/415Vac											
	Power factor	1, kVA=Kw											
	Voltage regulation	±1%											
	Output frequency	Utility Mode: ±1%/±2%/±4%/±5%±10% optional; Battery Mode:(50/60±0.1%)Hz											
	Crest factor	3:1											
	THD	≤2% with linear load; ≤4% with non linear load											
	Efficiency	96%											
	Overload	Load≤110%, last 60min; ≤125%, last 10min; ≤150%, last 1min; >150% change to bypass											
<b>Battery</b>	Voltage	±180V/±192V/±204V/±216V/±228V/±240/±252/±264/±276/±288/±300Vdc(30/32/34/36/38/40/42/44/46/48/50pcs optional)											
	Charge Current	5A Max.		10A Max.		15A Max.	20A Max.	30A Max.		45A Max.	60A Max.		
<b>Transfer Time</b>	Utility to Battery : 0ms; Utility to bypass: 0ms												
<b>Environment</b>	Operating temperature	0°C ~ 40°C											
	Storage temperature	-25°C ~ 55°C(no battery)											
	Humidity range	0 ~ 95% (non condensing)											
	Altitude	< 1500m											
	Noise level	<55dB		<58dB		<65dB		<68dB					
<b>Protection</b>	Alarm	under voltage, over voltage, overload, utility abnormal, UPS fault, battery low, etc											
	Protection	short circuit, overload, over temperature, battery low, fan fault alarm											
	Communication	USB, CAN, RS485, FE, Parallel card, Dry contact card(optional), SNMP card(optional), LBS(60-200kVA optional ),temperature sensor (optional)											
<b>Physical</b>	Dimensions D*W*H(mm)	720*250*535				868*250*862			885*440*1200			900*530*1300	
	Net Weight (kg)	33	33.5	34	35	40	70.5	142	160	162	196	242	243
<b>Standards</b>	EN62040-1, EN62040-2, EN62040-3												