

## Introduction:

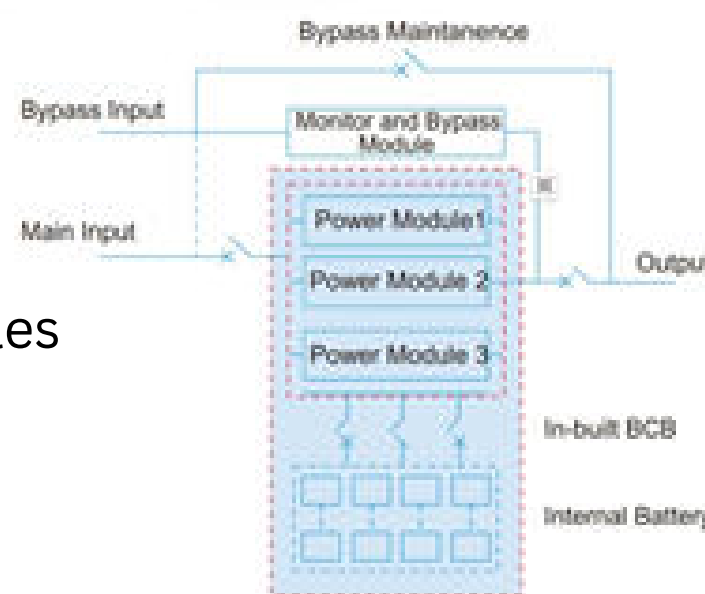
SIM is SMET's Integrated Modular UPS series from 10kW-90kW a fully modular design and supports smooth expansion of 10-90kVA capacity. It integrates UPS and power distribution, which is directly loads carried and flexible power distribution. It can completely eliminate the impact of various grid problems on key loads. It is modularized and adopt the N+X redundancy, with max 20pcs battery pack (default 16pcs), each battery pack hold 10pcs 12V7AH or 9AH. It can flexibly increase the number of the UPS modules according to the load capacity which can provide ideal power supply protection for customers in medium-sized power supply scenarios.



7 inch LCD front panel

## Features:

- Modular & Hot swappable UPS & Battery Modules
- Online double conversion and three level technology
- P digital control technology
- Wide input voltage range
- Output power factor 1, kVA=Kw
- N+X redundancy
- Communications: RS485/Relay card/USB/SNMP option
- Integrating Modular UPS, Modular battery and distribution in one cabinet



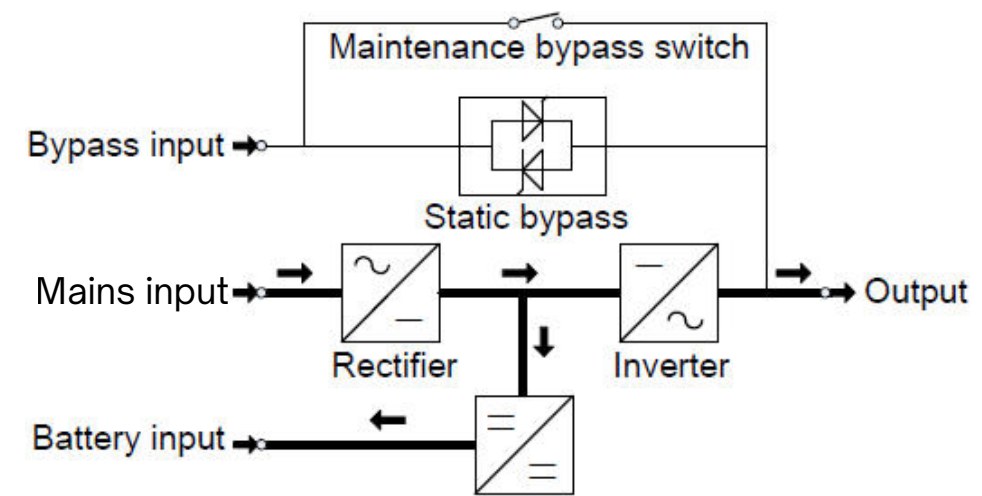
Web Monitoring

## Benefits:

- Wide input voltage range adapt to harsh power grid
- Each UPS & Battery module supports hot swap, capacity expansion on demand, easy to maintain
- 7-inch color touch screen, graphic display, easy to operate
- UPS and power distribution cabinets are integrated to save space

## Modular Design:

Modular & Hot swappable UPS & Battery packs enable replacement without downtime, permit on-demand capacity expansion or aging cell renewal, and reduce spare parts/maintenance costs by over 40% while eliminating full-system replacement.



UPS in Normal operation



Model		SIM30-10	SIM45-15	SIM60-20	SIM75-25	SIM90-30	
Capacity	Cabinet	10~30kVA	15~45kVA	20~60kVA	25~75kVA	30~90kVA	
	Module	10kVA/10kW	15kVA/15kW	20kVA/20kW	25kVA/25kW	30kVA/30kW	
Max. Module Number		3- Hot Swappable & Redundant					
Input	Phase	3 Phase 4 Wires and Ground					
	Rated Voltage	380/400/415Vac					
	Voltage Range	138 ~ 485Vac					
	Frequency Range	40Hz-70Hz					
	Power Factor	≥0.99					
	Current THDi	≤3%(100% linear load) ; ≤5%(100% non-linear load)					
	Power Walking In	Yes					
	Generator access	Yes					
Output	Phase	3 Phase 4 Wires and Ground					
	Rated Voltage	380/400/415Vac					
	Power Factor	1					
	Voltage Regulation	±1%					
	Frequency	(50/60±0.1%)Hz					
	Crest Factor	3:1					
	THD	≤2% with linear load, ≤4% with non linear load					
	Effieency	96%					
	Overload	≤ 110% for 60 min; ≤ 125%, for 10 min; ≤ 150% for 1 min					
Battery	Quantity	(30-50pcs)- Selectable					
	Battery Module	20 Pc Hot swappable Modular Battery can fit inside UPS Frame.					
	Charging current	UPS Cabniet	15A Max.			30A Max.	
		UPS Module	5A Max.			10A Max.	
Transfer Time		Utility to Battery : 0ms; Utility to bypass: 0ms					
Protection	Alarm	overload, utility abnormal, UPS fault, battery low, etc					
	Protection	Over Voltage, Under voltage, Short circuit, Overload, Over temperature, Battery low, Fan fault alarm					
Communication Interface		USB, CAN, RS485, FE, Parallel card, Dry contact card, SNMP card(optional), LBS(optional), temperature sensor (optional)					
Environment	Operating Temperature	0°C ~ 40°C					
	Storage Temperature	-25°C ~ 55°C(no battery)					
	Humidity	0 ~ 95% (non condensing)					
	Altitude	< 1500m					
	Noise level	<70dB					
Physical	Dimensions D*W*H (mm)	UPS Cabinet	1000*600*2000				
		UPS Module	620*440*86				
	Net Weight (kg)	UPS Cabinet	245(no battery)				
		UPS Module	19				21.6
Standards		EN62040-1, EN62040-2, EN62040-3					